



Hitch Guide for hooking up balers to Norden Accumulators

Norden Mfg offers different hitches to help with proper baler/accumulator hook up that can be ordered through your dealer or directly through Norden Mfg.

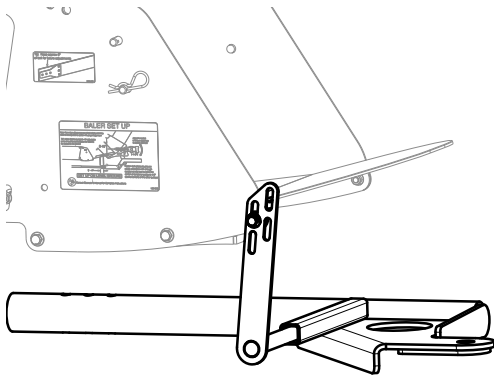
Phone: 877-296-5851

Fax: 440-693-4336

E-mail: parts@nordenmfg.com

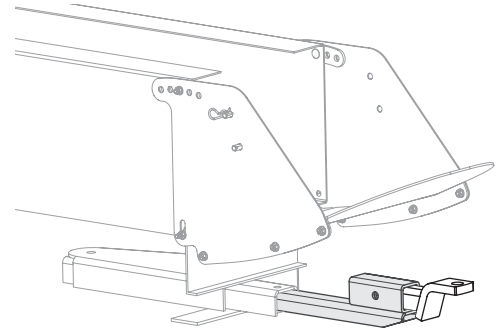
*Please refer to DOC # 1031630 Baler Accumulator Hook Up Instructions that comes with the Norden Accumulator, for complete hook up instructions.

This can also be found at www.nordenmfg.com or you can retain a copy by calling Norden Mfg.



Center Hitch Adapter Kit #1008091

Refer to "Center Hitch Adapter #1008091" on page 2



JD Hitch Extension #1009471

Refer to "Norden Mfg Hitch Extension for John Deere® Balers #1009471" on page 3



Massey 1840 Hitch Spacer Kit #1035690

Refer to "Massey 1840 Hitch Spacer" on page 4

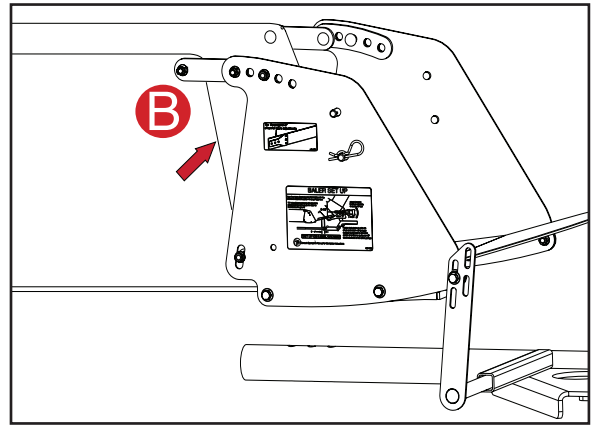
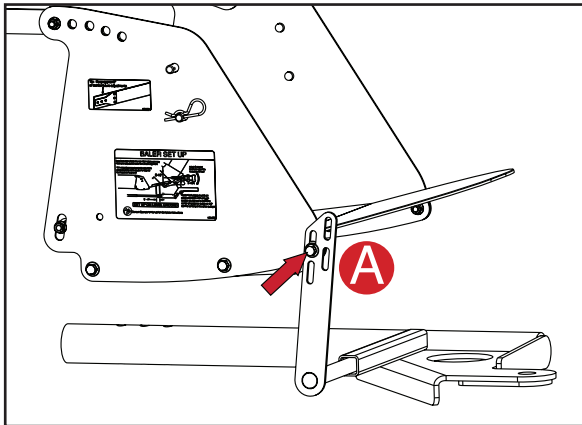
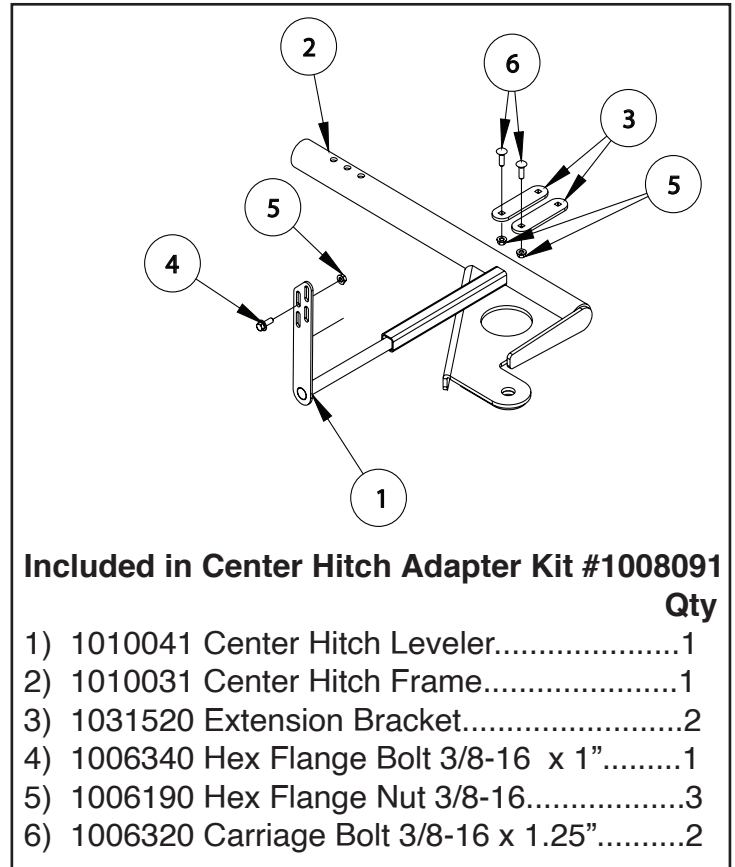
New Holland® Longer Hitch Tube, available through New Holland Agriculture®

Refer to "New Holland® Hitch Tube Kit #84134280" on page 3

Center Hitch Adapter #1008091

1987 and older NH balers have the hitch on the right hand side of the chamber. Using a Center Hitch Adapter will align the baler and Accumulator properly.

1. Remove wagon hitch from baler.
2. Insert Norden Center Hitch Frame.
3. Remove 3/8-16 x 3/4" Flange Hex Bolt located in the left side corner hole of Chamber Extension.
4. Slide leveler out from Center Hitch and align with the hole on Chamber Extension causing the Center Hitch to be level.
5. Secure with 3/8-16 x 1" Hex Flange Bolt that is included with kit. **A**
6. If the bale chamber is angled from top to bottom, use the extension brackets (included in Center Hitch Kit) to secure the Chamber Extension to the baler (ensuring carriage bolt is on the inside) **B**

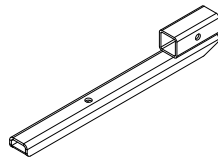


Norden Mfg Hitch Extension for John Deere® Balers #1009471

John Deere® Balers (1988 and newer) are not long enough to allow enough space between the Chamber Extension and Accumulator Chute.

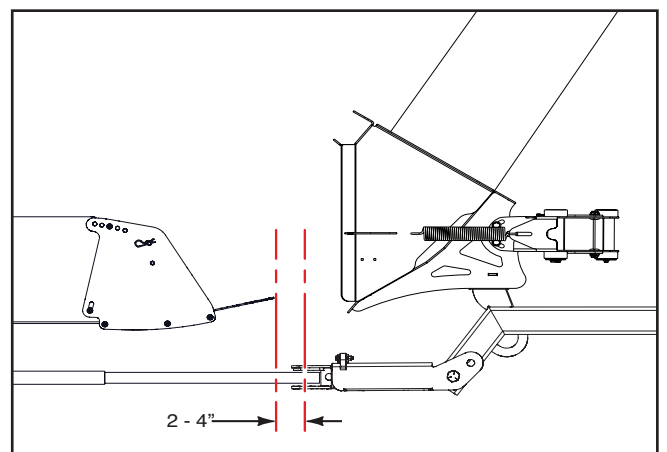
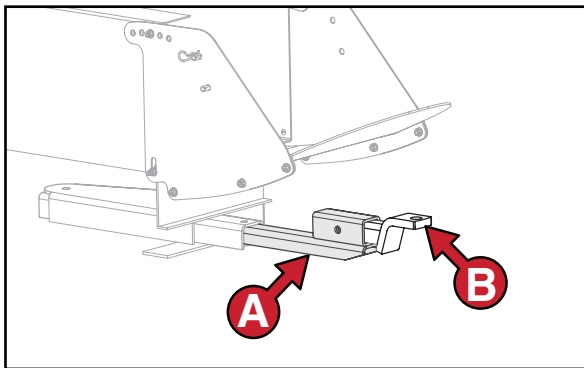
The hitch on the John Deere® Balers needs to be 2-4" behind the tip of the chamber extension. Drilling a hole to create a new hitch length setting in the drawbar may be necessary.

1. Insert the JD Hitch **A**
2. Insert a reese hitch (not included) upside down in the JD hitch **B**
3. Secure with hitch pin (not included).



Included in JD Hitch Kit #1009471

	Qty
1) 1009471 JD Hitch.....	1



New Holland® Hitch Tube Kit #84134280

New Holland® offers a longer hitch tube for the wagon hitch kit. KA ID: KA00596124 / 283048

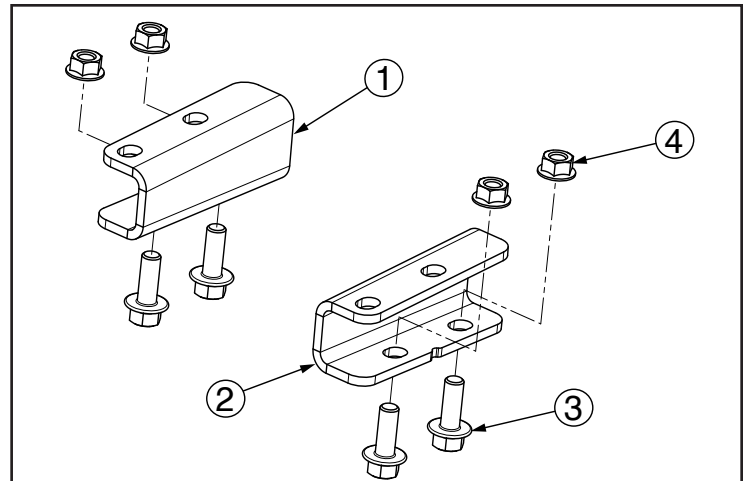
The wagon hitch kit is common across several series of small square balers. The hitch tube in the kit has an overall length of 865 mm (34 inches).

A longer hitch tube (PN# 84134280) with overall length of 1185 mm (46-5/8") is available through New Holland Agriculture®

Massey 1840 Hitch Spacer

The Massey 1840 hitch is at times too high. Using Hitch Spacers will lower the hitch allowing it to properly align with the Accumulator Hitch.

1. Remove the bolts from the Baler to the hitch frame. (These will be re-used)
2. Re-using the top bolts, bolt in the left/right spacer in it's appropriate side. (Divot in the spacer should be on the bottom, open side facing out).
3. Use provided bolts and nuts to bolt the bottom of the spacer onto the hitch frame.



Included in Massey 1840 Hitch Spacer Kit #1035690

	Qty
1) 1023030 Hitch Spacer, Right.....	1
2) 1023040 Hitch Spacer, Left.....	1
3) 1006340 Serrated Flange Bolt 3/8" x 1".....	4
4) 1006190 Hex Flange Nut 3/8"-16.....	4

