

# AlfaTed



A new spin on fluffing  
alfalfa windrows



NORDEN MFG

# AlfaTed Fluffing Tedder



*Gentle action for maximum quality*



Bearing based cam runs silently with low maintenance.

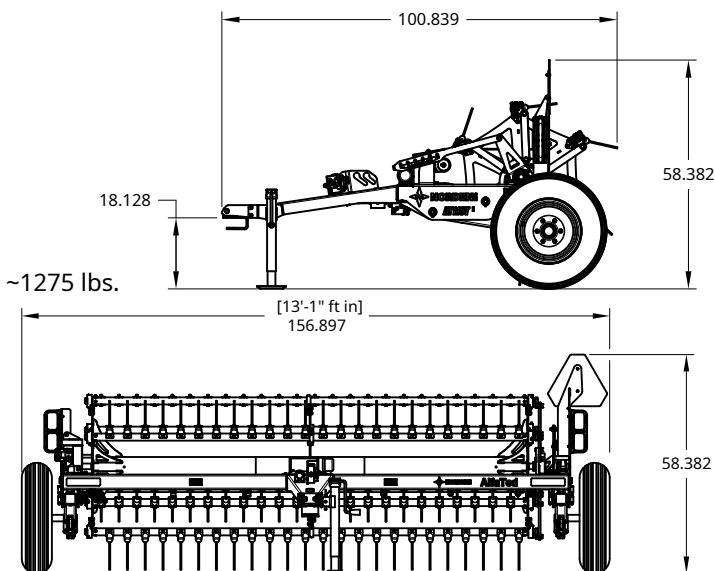


Tool free adjustment of tooth action.



Rubber teeth for reliably silent operation.

BLACK TALON



- 10 foot working width
- 6 bars of teeth for faster ground speed
- Trailed with 15" of lift
- Hydraulically powered (requires 4-7 gpm)
- Bearing cam designed by Vogel Engineering
- Tool free adjustments
- Black Talon rubber teeth

**AT110TH**